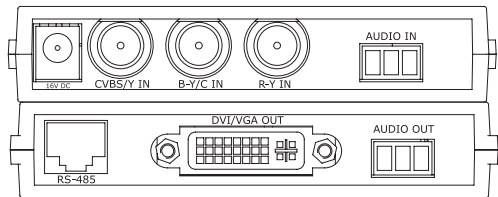


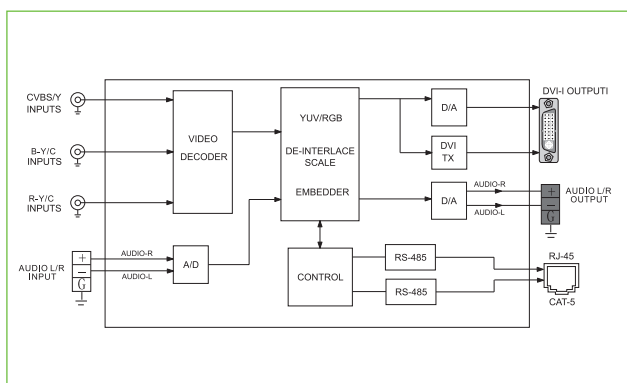
# BOX-CCG-102 CVBS to DVI/VGA Converter

## DESCRIPTION

BOX-CCG-102 is a CVBS/YC/YUV to DVI/VGA signal converter. It supports 1 channel CVBS/YC/YUV input and converts to 1 channel DVI/VGA signal. Output interface adopts DVI-I which can be compatible with DVI-D/DVI-A (VGA signal). Output DVI/VGA signal can also be overlaid with audio meter, TALLY indicator and UMD(under monitor display). CCG-102 ensures the compatibility of CVBS/YC/YUV and DVI/VGA display equipment. The combination not only largely lowered the cost of video display system but also add the flexibility of usage. It supports TSL's UMD (under monitor display) protocol.



## BLOCK DIAGRAM



## SPECIFICATIONS

### Mechanical

Width.....3.86 in. (98mm)  
 Height.....0.79 in. (20mm)  
 Depth.....4.72 in. (120mm)

### Electrical

Power Consumption.....4 W  
 Power Supply.....16V DC power supply adapter

### Environmental

Operating Temperature.....32° ~ 104°F (0° ~ 40°C)  
 Relative Humidity.....10% ~ 90%

### Video Input Specifications

Connector.....BNC (×3)  
 Signal Format.....CVBS, Y/C, YUV

### Audio Input Specifications

Connector.....3Pin (×1)  
 Signal Format.....Unbalanced analog audio stereo

### Video Output Specifications

Connector.....DVI-I (×1)  
 Signal Format.....DVI/VGA (resolution up to 1920×1080i)  
 LED Bar Graph.....VU metetr+PPM meter display

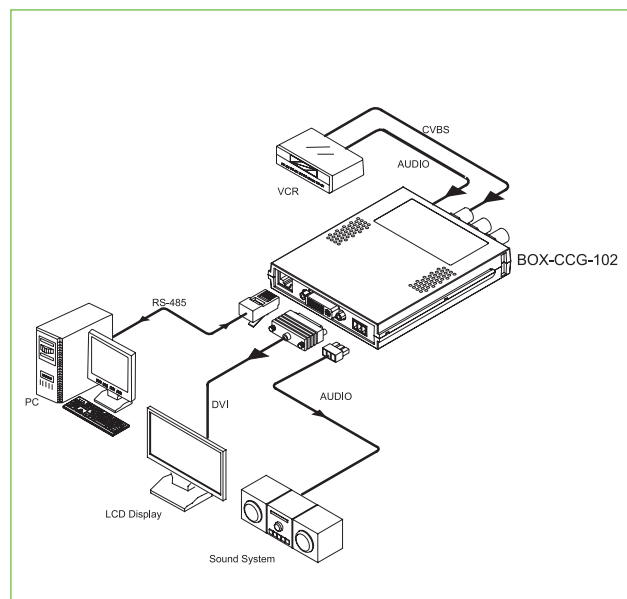
### Audio Output Specifications

Connector.....3Pin (×1)  
 Signal Format.....Unbalanced analog audio stereo

### RS-485 Control Signal Output Specifications

Connector.....RJ-45 (×1)  
 Signal Output.....2 channel RS-485 signal

## SYSTEM CONNECTION DIAGRAM



## ORDERING INFORMATION

### ◆ Standard Accessories

Model	Product Description
BOX-CCG-102	CVBS to DVI/VGA Converter
BOX-PWR	Power Supply Adapter
BOX-HOLDER	HOLDER
381-3P	3Pin Connector

### ◆ Optional Accessories

Model	Product Description
BOX-FM-1RU	BOX Series Rack Equipment (can accommodate at most eight 1/2RU high function modules)
BOX-PWD	1×6 Power Supply Distribution Module (power at most six function modules)